

# BRL 731 VE

Instruction manual

Bedienungsanleitung

Manual de instrucciones

Manuel d'utilisation

Gebruikshandleiding

Bruksanvisning

Manuale delle istruzioni



# FLEX

Copyright © 2003 Porter-Cable Corporation



D-71711 Steinheim/Murr – Tel. (0 71 44) 8 28-0 – Fax (0 71 44) 2 58 99

|   |  |
|---|--|
| <b>CE Konformitätserklärung</b> (D)<br>Wir erklären in alleiniger Verantwortung, dass dieses Produkt mit den folgenden Normen oder normativen Dokumenten übereinstimmt: EN 50 144, EN 55 014-1, EN 55 014-2, EN 61 000-3-2/-3-3 gemäß den Bestimmungen der Richtlinien 98/37/EG, 73/23/EWG und 89/336/EWG.    | <b>CE Konformitetserklæring</b> (DK)<br>Vi erklærer under almindeligt ansvar, at dette produkt er i overensstemmelse med følgende normer eller normative dokumenter: EN 50 144, EN 55 014-1, EN 55 014-2, EN 61 000-3-2/-3-3 i henhold til bestemmelserne i direktiverne 98/37/EF, 73/23/EØF, 89/336/EØF.                  |
| <b>CE Declaration of conformity</b> (GB)<br>We declare under our sole responsibility that this product is in conformity with the following standards or standardized documents. EN 50 144, EN 55 014-1, EN 55 014-2, EN 61 000-3-2/-3-3 in accordance with the regulations 98/37/EC, 73/23/EEC, 89/336/EEC.   | <b>CE Försäkran</b> (S)<br>Vi intygar och ansvarar för, att denna product överensstämmer med följande norm och document. EN 50 144, EN 55 014-1, EN 55 014-2, EN 61 000-3-2/-3-3 enl. bestämmelser och riktlinjerna 98/37/EG, 73/23/EWG, 89/336/EWG.   |
| <b>CE Déclaration de conformité</b> (F)<br>Nous déclarons sous notre propre responsabilité que ce produit est en conformité avec les normes ou documents normalisés suivants. EN 50 144, EN 55 014-1, EN 55 014-2, EN 61 000-3-2/-3-3 selon les réglementations 98/37/CE, 73/23/CEE, 89/336/CEE.              | <b>CE Declaración de conformidad</b> (E)<br>Declaramos bajo nuestra sola responsabilidad que este producto está en conformidad con las normas o documentos normalizados siguientes: EN 50 144, EN 55 014-1, EN 55 014-2, EN 61000-3-2/-3-3 de acuerdo con las regulaciones 98/37/CE, 73/23/CEE, 89/336/CEE.                |
| <b>CE Dichiarazione di conformità</b> (I)<br>Dichiariamo, assumendone la piena responsabilità, che il prodotto è conforme alle seguenti normative e ai relativi documenti: EN 50 144, EN 55 014-1, EN 55 014-2, EN 61 000-3-2/-3-3 in base alle prescrizioni delle direttive CE 98/37, CEE 73/23, CEE 89/336. | <b>CE Konformiteitsverklaring</b> (NL)<br>Wij verklaren dat dit product voldoet aan de volgende normen of normatieve documenten: EN 50 144, EN 55 014-1, EN 55 014-2, EN 61 000-3-2/-3-3 overeenkomstig de bepalingen van de richtlijnen 98/37/EF, 73/23/EØF, 89/336/EØF.  |
| <b>CE Erklæring av ansvarsforhold</b> (N)<br>Vi erklærer at de ter under vårt ansvar at dette produktet er i overenssettelse med følgende standarder eller standarddokumenter. EN 50 144, EN 55 014-1, EN 55 014-2, EN 61 000-3-2/-3-3 i samsvar med reguleringer 98/37/EG, 73/23/EWG, 89/336/EWG.            | <b>CE Todistusse standardinmukaisuudesta</b> (FIN)<br>Todistamme täten ja vastaamme yksin siitä, että tämä tuote on allalueteltujen standardien ja standardoimisasiakirjojen vaatimusten mukainen EN 50 144, EN 55 014-1, EN 55 014-2, EN 61000-3-2/-3-3 seuraavien sääntöjen mukaisesti 98/37/ETY, 73/23/ETY, 89/336/ETY. |
| <b>CE Declaração de conformidade</b> (P)<br>Declaramos sob nossa exclusiva responsabilidade que este produto cumpre as seguintes normas ou documentos normativos: EN 50 144, EN 55 014-1, EN 55 014-2, EN 61 000-3-2/-3-3 conforme as disposições das directivas 98/37/EC, 73/23/EEC, 89/336/EEC.             | <b>CE Konformitási nyilatkozat</b> (H)<br>Felelősségünk tudatában kijelentjük, hogy ez a termék megfelel a követ-kező szabványoknak vagy normatív irásoknak: EN 50 144, EN 55 014-1, EN 55 014-2, EN 61 000-3-2/-3-3 az Európai Gazdasági Közösség 98/37/EC, 73/23/EEC, 89/336/EEC.  |
| <b>CE Δήλωση συμβατότητας</b> (GR)<br>Δηλώνουμε υπεύθυνα ότι αυτό το προϊόν είναι σύμφωνο με τις παρακάτω προδιαγραφές ή απαιτήσεις: EN 50 144, EN 55 014-1, EN 55 014-2, EN 61 000-3-2/-3-3 σε συνάρτηση με τους κανονισμούς 98/37 E.O.K., 73/23/E.O.K., 89/336/E.O.K.                                       | <b>CE Prohlášení o shodnosti proveden</b> (CZ)<br>Prohlašujeme v piné náš zodpovdnosti, že tento výrobek je v souladu s následujícím normami anebo normativním dokumentem: SN EN 50 144, SN EN 55 014-1, ČSN EN 55 014-2, SN EN 61 000-3-2/-3-3 podle na zen vlády 281/00 Sb., 282/00 Sb., 283/00 Sb.                      |

CE 04 Rühle

Severin

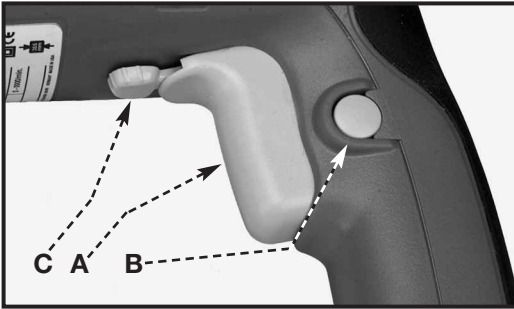


Fig. 1

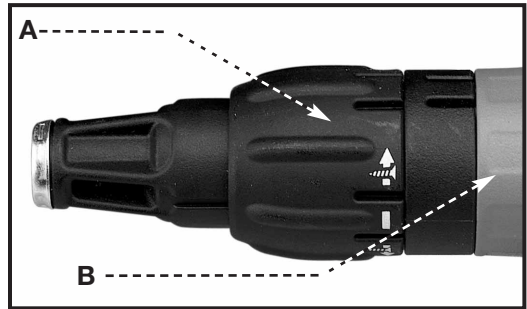


Fig. 2

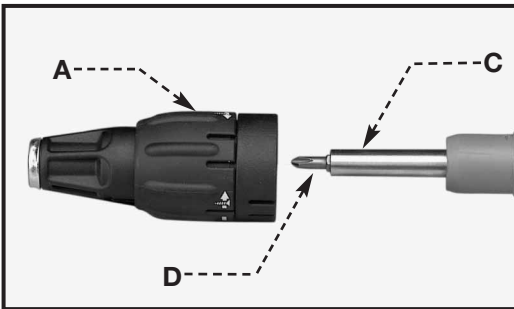


Fig. 3

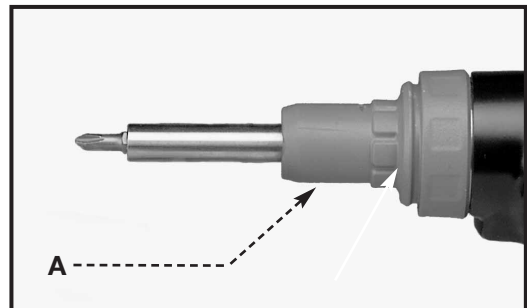


Fig. 4

## TECHNICAL SPECIFICATIONS

|                             |            |                                      |                       |
|-----------------------------|------------|--------------------------------------|-----------------------|
| Type .....                  | BRL 721 VE | Max. clamp Ø .....                   | 13 mm                 |
| Part number .....           | 307.831    | Weight .....                         | 2.0 kg                |
| Rated speed (no load) ..... | 0–2500/min | Typical weighted acceleration: ..... | <2.5 m/s <sup>2</sup> |
| Power consumption .....     | 765 W      | A-weighted noise levels:             |                       |
| Power output .....          | 420 W      | Sound pressure level .....           | 84 dB(A)              |
| Max. drill Ø in steel ..... | 8 mm       | Sound power level .....              | 97 dB(A)              |
| Max. drill Ø in wood .....  | 20 mm      | <i>Wear ear protection!</i>          |                       |

## SAFETY RULES FOR SCREWDRIVERS

- 1. HOLD TOOL BY INSULATED GRIPPING SURFACES WHEN PERFORMING AN OPERATION WHERE THE CUTTING TOOL MAY CONTACT HIDDEN WIRING OR ITS OWN CORD.** Contact with a “live” wire will also make exposed metal parts of the tool “live” and shock the operator.
- 2. DO NOT** use bits larger than those recommended. Larger bits increase the chance of jamming, and will overload the drill, damaging the motor and gears.
- 3. USE THE PROPER CHUCK KEY ONLY TO TIGHTEN OR LOOSEN THE CHUCK.** Do not use chuck if jaws or other parts are cracked or worn.
- 4. VERIFY THE DRILL’S ROTATION BEFORE STARTING THE DRILL.**
- 5. NEVER ATTEMPT TO CHANGE DIRECTION** of rotation while switch is “ON”. To do so, may damage interlock feature built into switch. Be sure switch is “OFF” and motor has completely stopped before changing direction of rotation.
- 6. NEVER HOLD WORKPIECE IN YOUR HAND, LAP, OR AGAINST OTHER PARTS OF YOUR BODY** during operation.
- 7. DO NOT USE DRILL AS A ROUTER**, or try to elongate or enlarge holes by twisting the drill. Drill bits can break and can cause injury.
- 8. APPLY FORWARD FORCE ON THE PISTOL GRIP HANDLE ONLY, AND ONLY WITH YOUR HANDS.** When using an auxiliary handle, grasp it with one hand to resist rotational force.
- 9. SOME WOOD CONTAINS PRESERVATIVES WHICH CAN BE TOXIC.** Take extra care to prevent inhalation and skin contact when working with these materials. Request, and follow, any safety information available from your material supplier.

## REPLACEMENT PARTS

When servicing use only identical replacement parts.

# OPERATING INSTRUCTIONS

## TO START AND STOP TOOL

1. Confirm that the trigger switch is "OFF". Make sure that the power circuit voltage is the same as that shown on the specification plate of the tool. Connect the tool to the power source.
2. Squeeze the trigger switch (A) Fig. 1 to start the motor. Release the trigger switch to stop the motor.
3. A switch-lock button (B) Fig. 1 is provided to keep the motor running without holding the trigger switch "ON".
  - A. To LOCK the tool in the "ON" position, squeeze the trigger switch, push in and hold the lock button while releasing the trigger switch.
  - B. To RELEASE the switch-lock button, squeeze the trigger switch and release.

**NOTE:** The switch-lock button can be engaged only when the drill is running at maximum speed.

### **⚠ CAUTION**

Never use the switch-lock button when the tool may have to be stopped suddenly.

4. This tool will operate in either the forward direction (clockwise rotation), or the reverse direction (counter-clockwise rotation). ALWAYS allow the motor to completely stop before reversing the direction. For CLOCKWISE rotation, move the switch button (C) Fig. 1 to the right. For COUNTER-CLOCKWISE rotation, move the switch button to the left.
5. VARIABLE SPEED: As the trigger switch is squeezed, the drill speed increases.

## CHANGE BIT HOLDER

### **⚠ WARNING**

**DISCONNECT TOOL FROM POWER SOURCE.**

1. Pull the Depth Stop Assembly (A) Fig. 2 from the clutch housing.
2. Pull the bit holder (C) Fig. 3 out. If it is difficult to remove, grip it with pliers and pull.

**NOTE:** Bit (D) Fig. 3 may be removed from the bit holder by pulling it straight out.

3. Push new bit holder into the spindle and snap it into place.
4. Replace the Depth Stop Assembly (A) Fig. 2 and adjust the depth stop (see "ADJUST DEPTH STOP").

## ADJUST DEPTH STOP

1. Turn the adjusting collar until the end of the bit extends 3/32" beyond the end of the depth stop. Do not push the bit holder in. This will engage the internal drive.
2. Drive a test fastener in a piece of scrap material identical to that to be used. Examine the results of the drive and make additional depth stop adjustments:
  - a) To increase the depth of drive, repeat STEP 1 and turn the adjusting collar so that the end of the bit extends further than the end of the depth stop.
  - b) To decrease depth of drive, repeat STEP 1 and turn the adjusting collar so that the end of the bit is closer to the end of depth stop. Each click of the adjusting collar results in .007" change in the depth of drive.
3. Repeat STEPS 1 and 2 until the desired result is obtained.

## DRIVING DRYWALL SCREWS

**NOTE: Maximum size screw for use with this tool is #12 Wood Screw.**

1. Install a drywall bit and bit holder in the screwdriver.
2. Set the screwdriver for the correct rotation.
3. Start the screwdriver and place a drywall screw on the bit.

**⚠ CAUTION**

Do not exert pressure on the screw while performing this operation.

4. Place the end of the screw in the desired location and remove your fingers.
5. Apply forward pressure to the drive screw until the depth stop rests on the surface of the work. Adjust the depth stop so that the fastener head is sunk just below the surface of the wallboard.

**TO REMOVE SCREWS – ALL MODELS**

1. Remove the Depth Stop Assembly.
2. Install a proper bit that fits the screw.
3. Set the screwdriver for reverse rotation.
4. Place the bit on the screw and apply forward pressure.
5. Start the screwdriver.

**MAINTENANCE****CHECK CLUTCH CONDITION**

Periodically, inspect the screwdriver clutch jaws for wear by removing the screwdriver mechanism housing (A) Fig. 4 from the power unit.

**NOTE:** The clutch housing is attached to the power unit with **left-hand** threads. The depth stop assembly may be removed from the clutch housing by pulling it straight off. Remove the clutch housing by turning the clutch housing clockwise.

**NOTE:** Be careful not to lose the small spring that is in the end of the power unit spindle shaft.

Note the condition of the 3-jaw clutch faces on the power unit and screwdriver mechanism. If they are badly rounded where the angular face meets the top surface, or appear worn or faulty, or if the clutch elements are not securely held in place on their respective shafts by the snap rings, return the entire tool to your AUTHORIZED PORTER-CABLE SERVICE STATION for service.

If the jaws are not seriously worn and no other apparent faults are found, clean the mechanism and all internal areas of chips or other foreign matter and brush a thin coat of PORTER-CABLE gear lubricant on the clutch elements and surrounding areas. Attach the screwdriver mechanism to the power unit, being sure that the spring is in the spindle shaft.

**NOTE:** The housing threads are left-hand thread.

## KEEP TOOL CLEAN

Periodically blow out all air passages with dry compressed air. Remove buildup of grime resulting from working with green or sappy wood. All plastic parts should be cleaned with a soft damp cloth. NEVER use solvents to clean plastic parts. They could possibly dissolve or otherwise damage the material.

**▲ CAUTION** Wear safety glasses while using compressed air.

## FAILURE TO START

Should your tool fail to start, check to make sure the prongs on the cord plug are making good contact in the outlet. Also, check for blown fuses or open circuit breakers in the line.

## BRUSH INSPECTION AND LUBRICATION

**▲ CAUTION** For your continued safety and electrical protection, brush inspection and replacement on this tool should ONLY be performed by an Authorized Service Agent for FLEX Power Tools.

At approximately 100 hours of use, take or send your tool to your nearest Authorized Service Agent for FLEX Power Tools to be thoroughly cleaned and inspected; worn parts replaced, when necessary; relubricated with fresh lubricant, if required; reassembled with new brushes; and performance tested.

Any loss of power before the above maintenance check may indicate the need for immediate servicing of your tool. DO NOT CONTINUE TO OPERATE TOOL UNDER THIS CONDITION. If proper operating voltage is present, return your tool to the Service Agent for immediate service.

## SERVICE AND REPAIRS

All quality tools will eventually require servicing or replacement of parts due to wear from normal use. These operations, including brush inspection and replacement, should ONLY be performed by an Authorized Service Agent for FLEX Power Tools. All repairs made by these agencies are fully guaranteed against defective material and workmanship. We cannot guarantee repairs made or attempted by anyone other than these agencies.

Should you have any questions about your tool, feel free to write us at any time. In any communications, please give all information shown on the nameplate of your tool (model number, type, serial number, etc.).