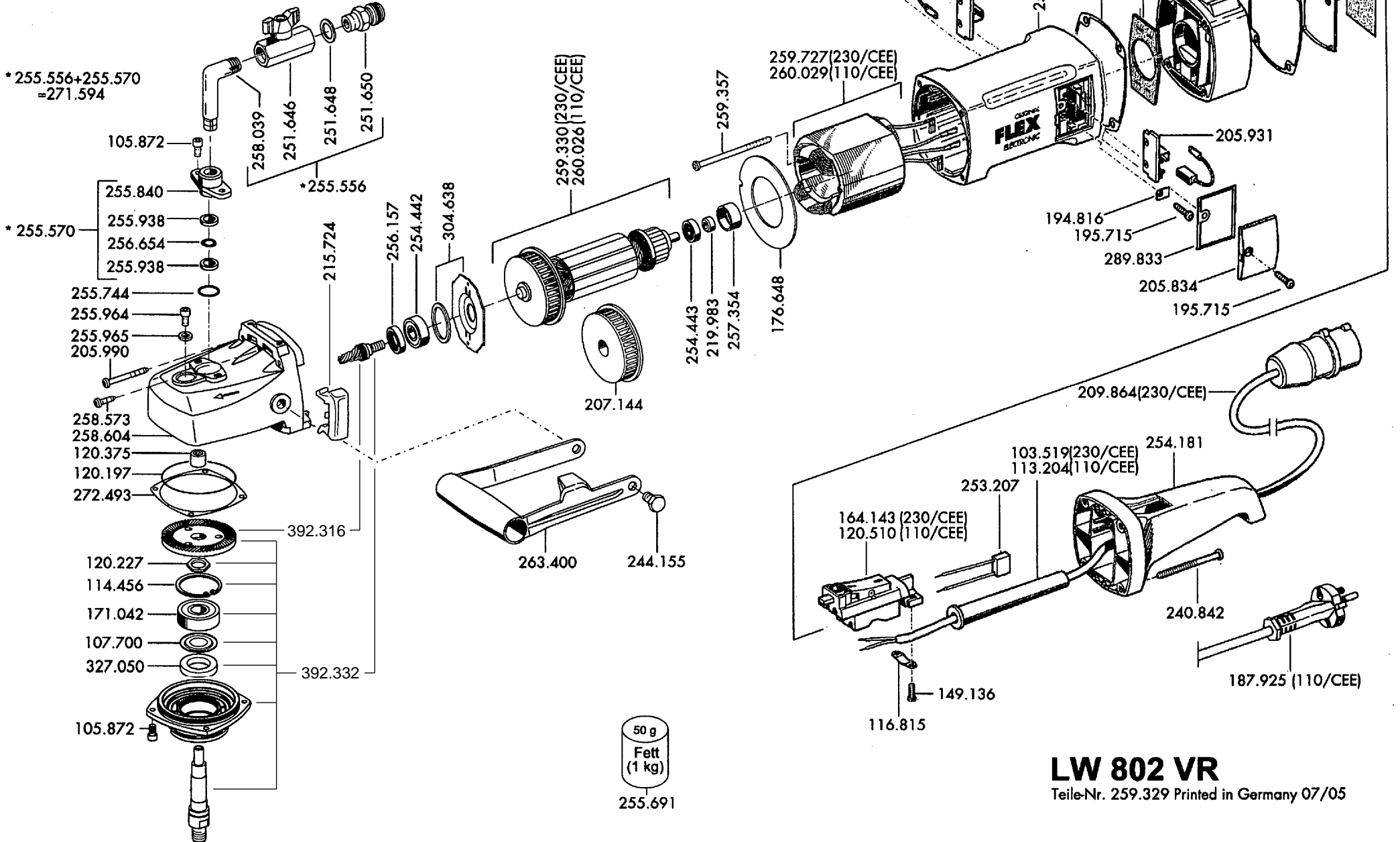


\* 255.556+255.570  
=271.594

\* 255.570



255.691

# LW 802 VR

Teile-Nr. 259.329 Printed in Germany 07/05